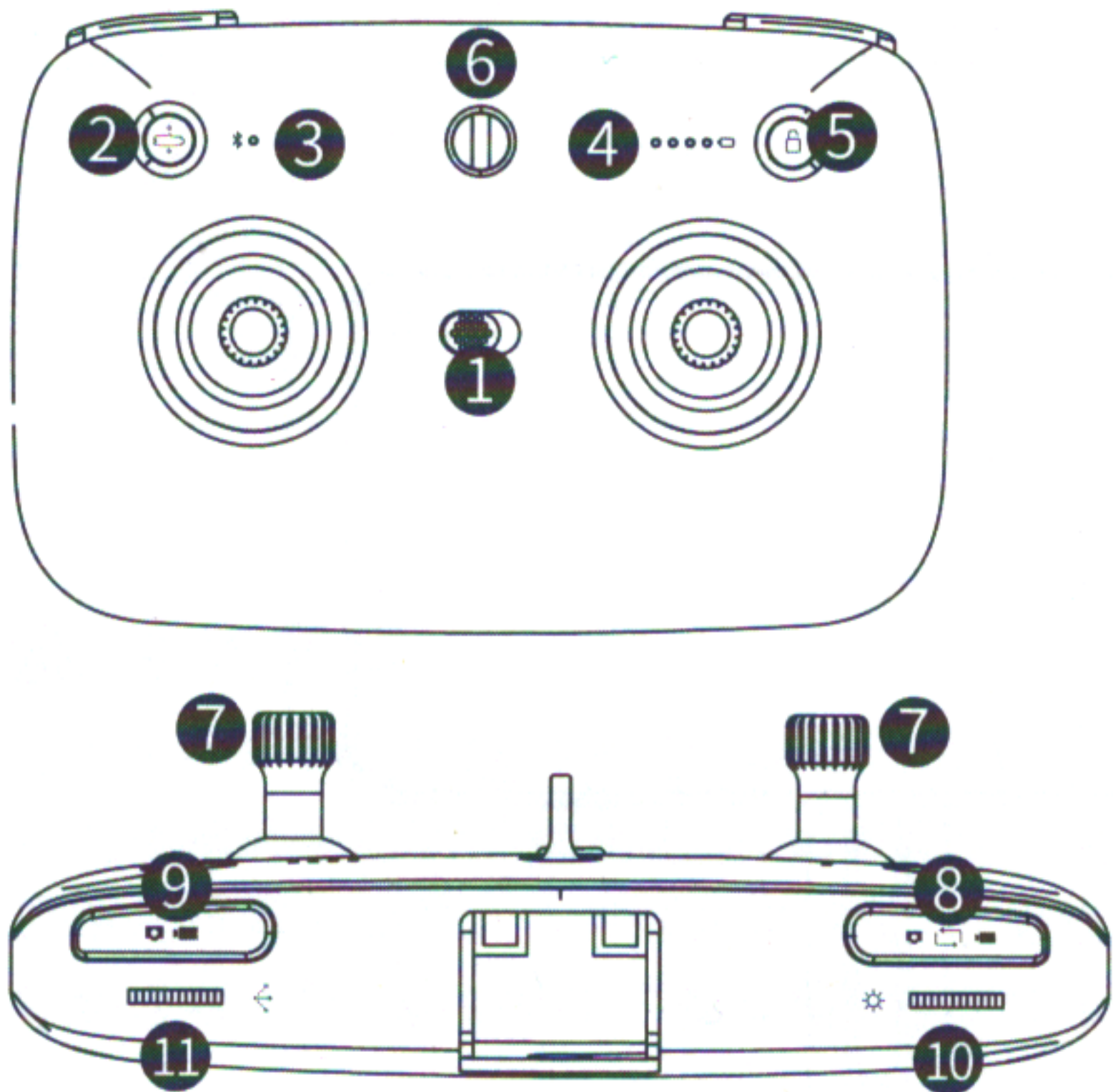


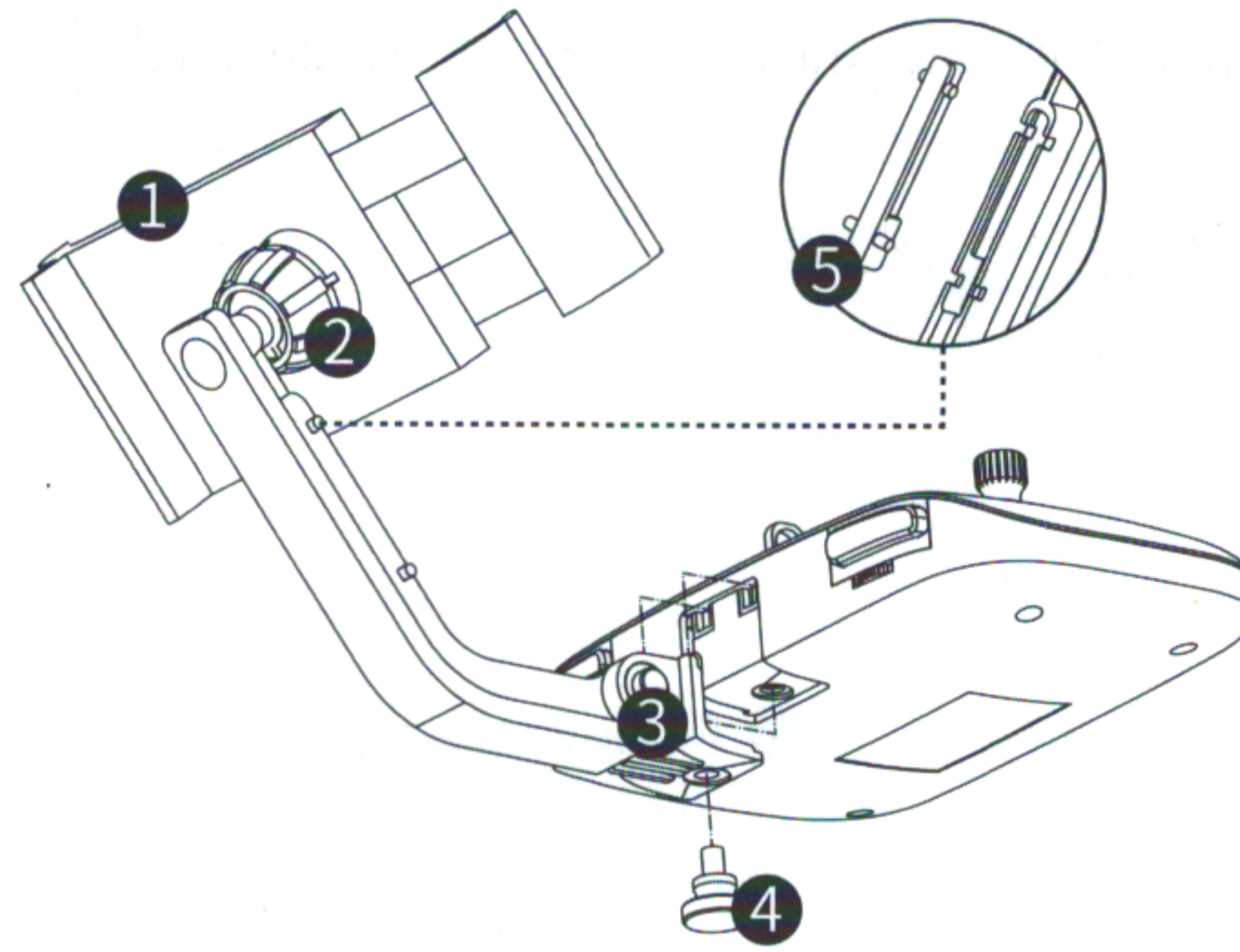
## Remote controller

The remote controller is used to control the drone. It connects wirelessly via Bluetooth to your mobile phone/tablet. The remote controller's phone/tablet mount supports devices ranging from 5 inches to 10.5 inches.



- ① Power Switch: Turns controller on/off.
- ② Mode Switch: Depth-lock mode is default and unique for Dory, so you do not need to press it.
- ③ Bluetooth Indicator: Light is solid on when Bluetooth is connected. Light flashes when not connected or when charging.
- ④ Power Indicator: Each LED represents 25% of the controller's battery. When all four lights are on the battery is fully charged.
- ⑤ Unlock/Lock: Unlock/Lock the motors.
- ⑥ Lanyard Attachment: If desired, a safety lanyard can be attached here to prevent the controller from falling.
- ⑦ Joysticks: Used to control the navigation of the drone.
- ⑧ Video/Photo Mode: Press to switch between video and photo mode.
- ⑨ Video/Photo: Press to start/stop video recording or take photo.
- ⑩ LED Light Control: Scroll right/left to increase/decrease brightness of LED lights.
- ⑪ Angle Adjustment: Scroll right/left to raise/lower the head of the drone. Press dial down to return to horizontal position.

## Phone/Tablet Mount



- ① Phone/Tablet Mount: Supports devices from 5 inches to 10.5 inches.
- ② Adjustable Nut A: Used to attach phone/tablet mount to mounting bracket.
- ③ Adjustable Nut B: Used to adjust mounting bracket angle.
- ④ Adjustable Nut C: Used to secure mounting bracket to controller.
- ⑤ Built-in Tool: Stored in bracket arm and used to tighten/loosen Adjustable Nut B.

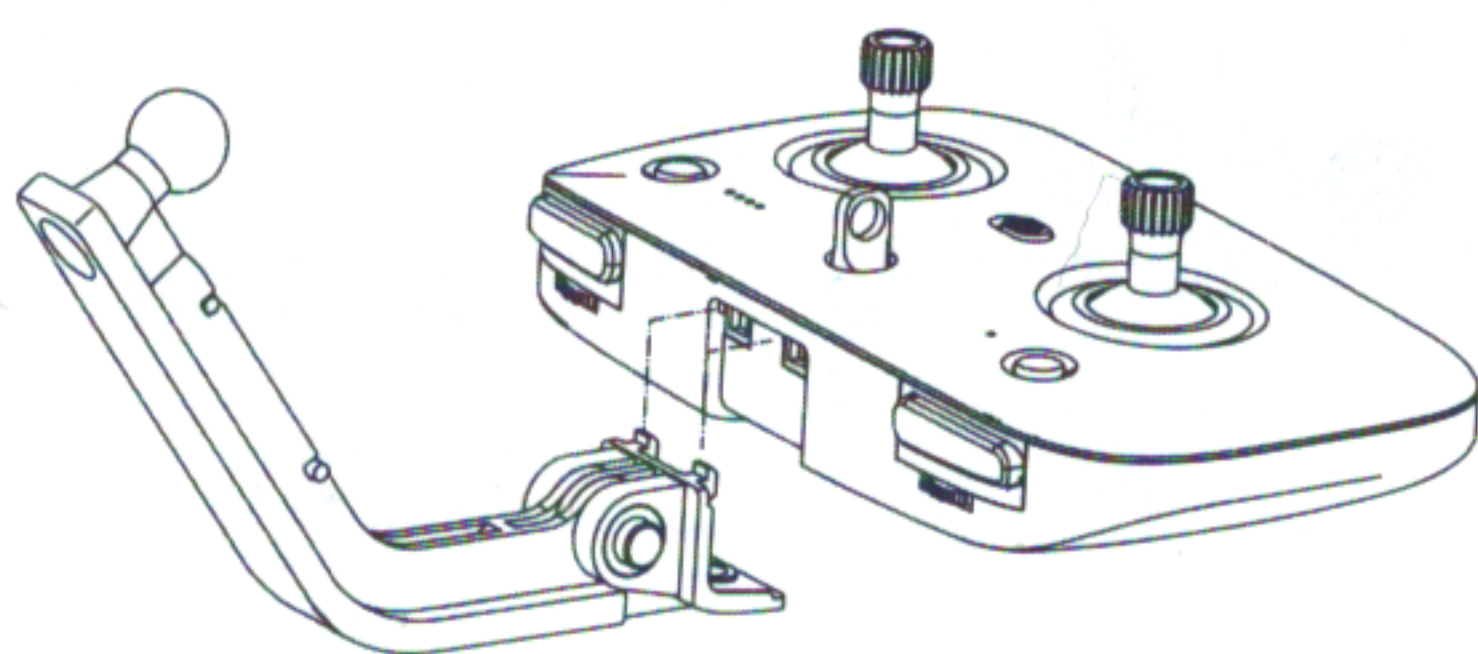
▲ Note: Tool can be removed from bracket arm by either set of points.

## Specifications

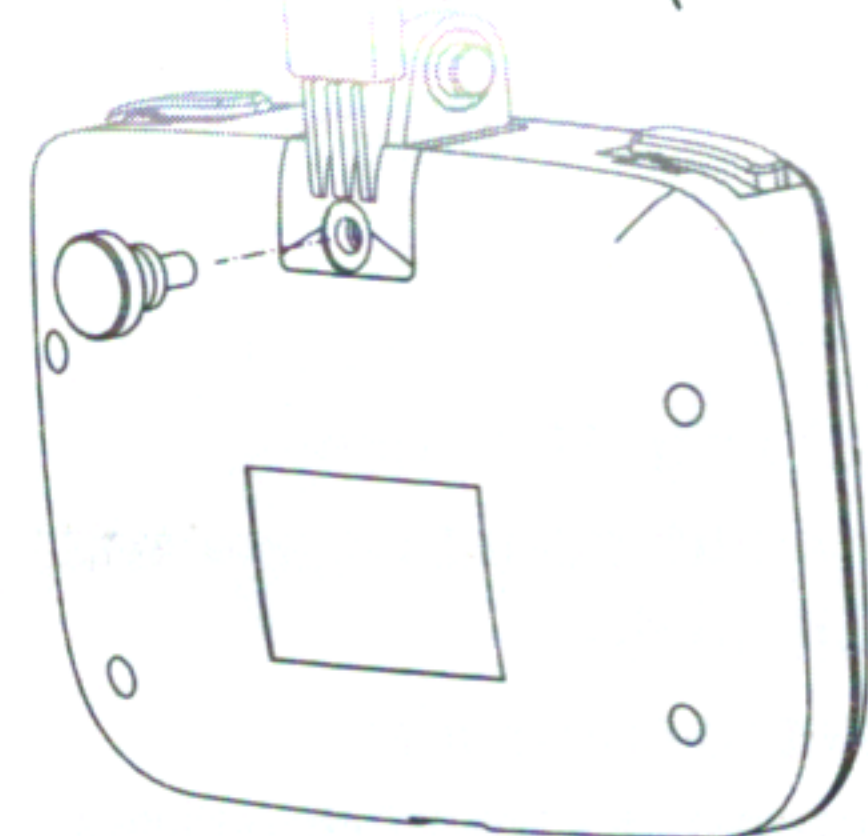
Working Frequency	2.4GHz-2.480GHz
Wireless Distance (Between smart device and controller)	<10m
Charging Time	1h
Battery Life	5h

## Phone/Tablet Mount Assembly

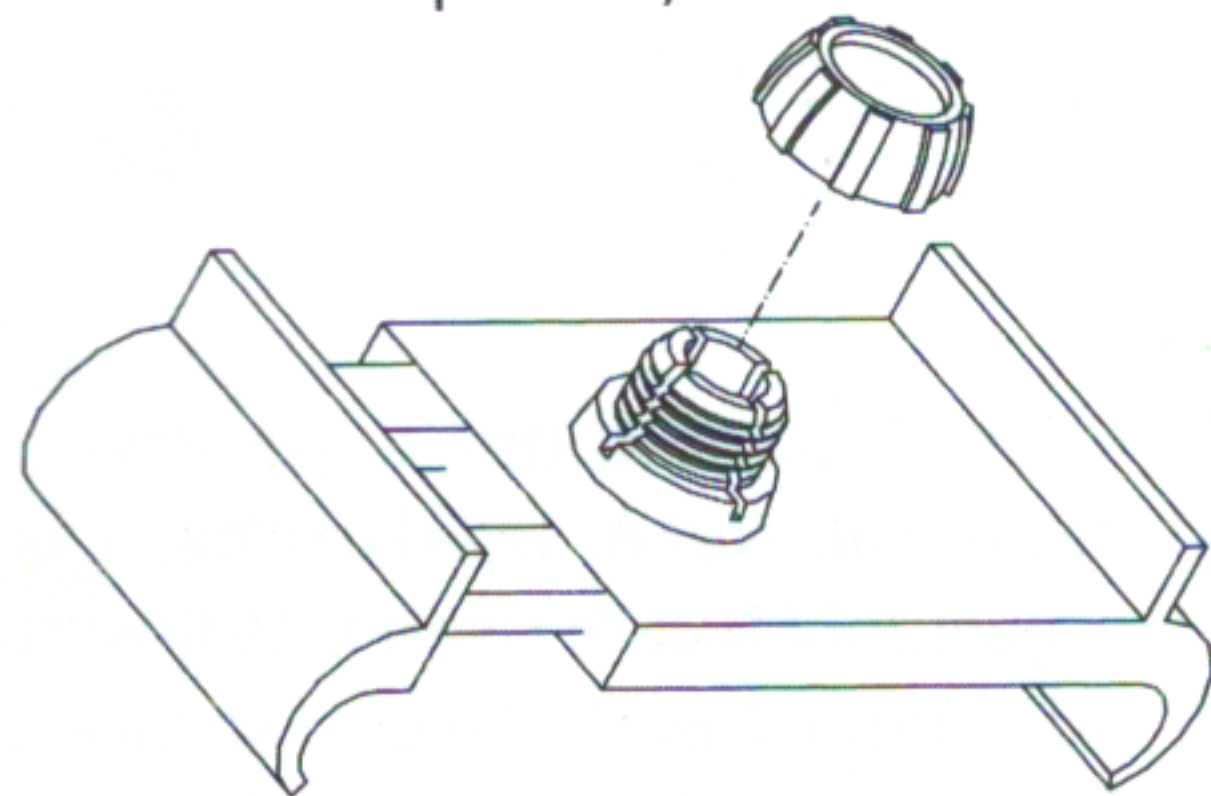
- ① Insert the mounting bracket into the mounting slot on the back of the controller.



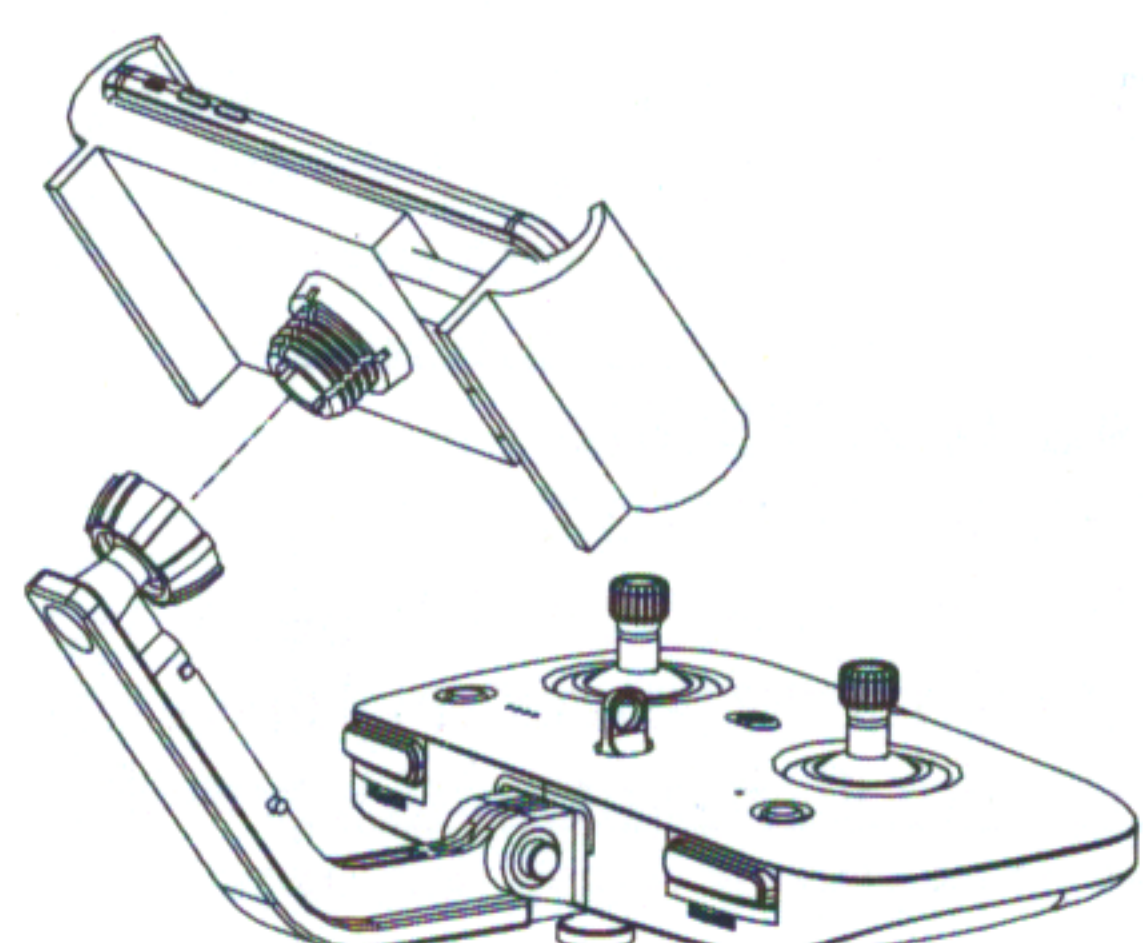
- ② Insert and tighten mounting bracket screw (M5\*8).



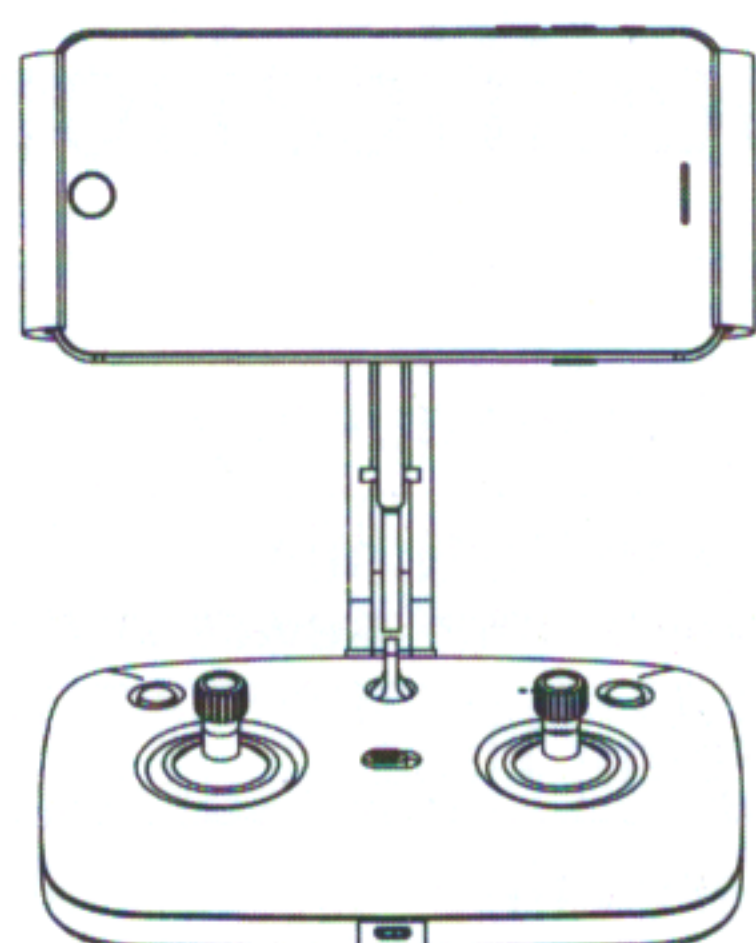
- ③ Remove the nut on the back of the phone/tablet mount.



- ④ Place nut over mounting bracket swivel ball. Then snap mounting bracket onto phone/tablet mount and tighten nut.



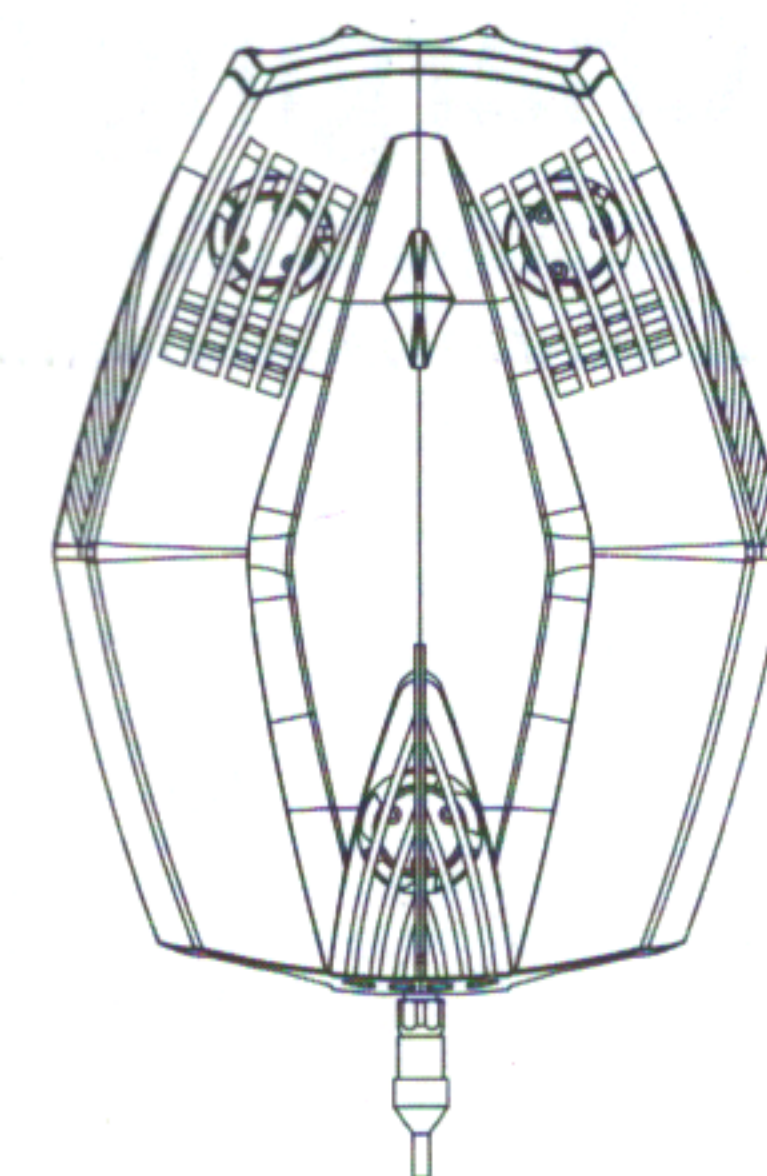
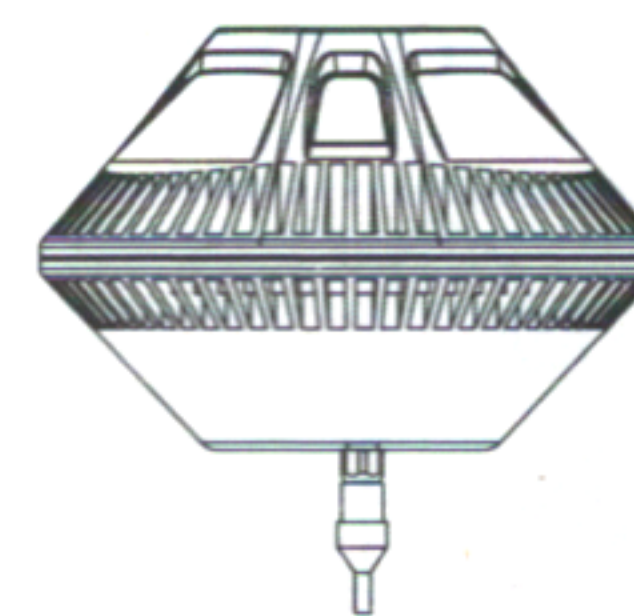
- ⑤ Insert phone/tablet and adjust to desired position.



## Connection Tutorial

- ① Turn on Dory and Connect Wi-Fi

When the Dory is turned on, use your phone or tablet to connect to the Dory\_xxxx WiFi.

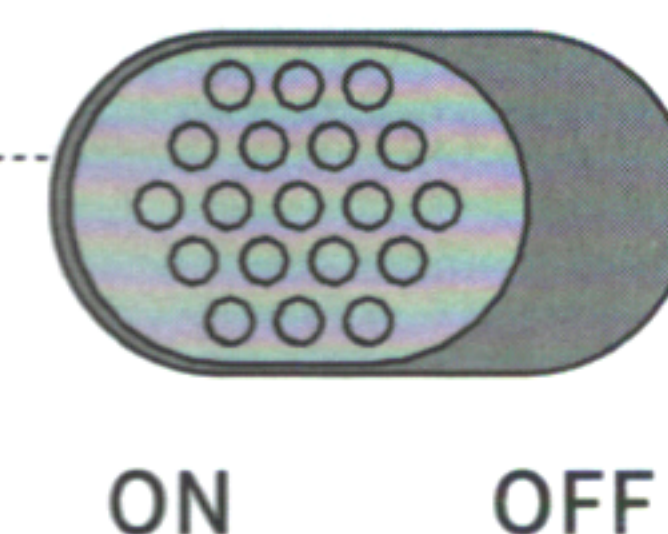
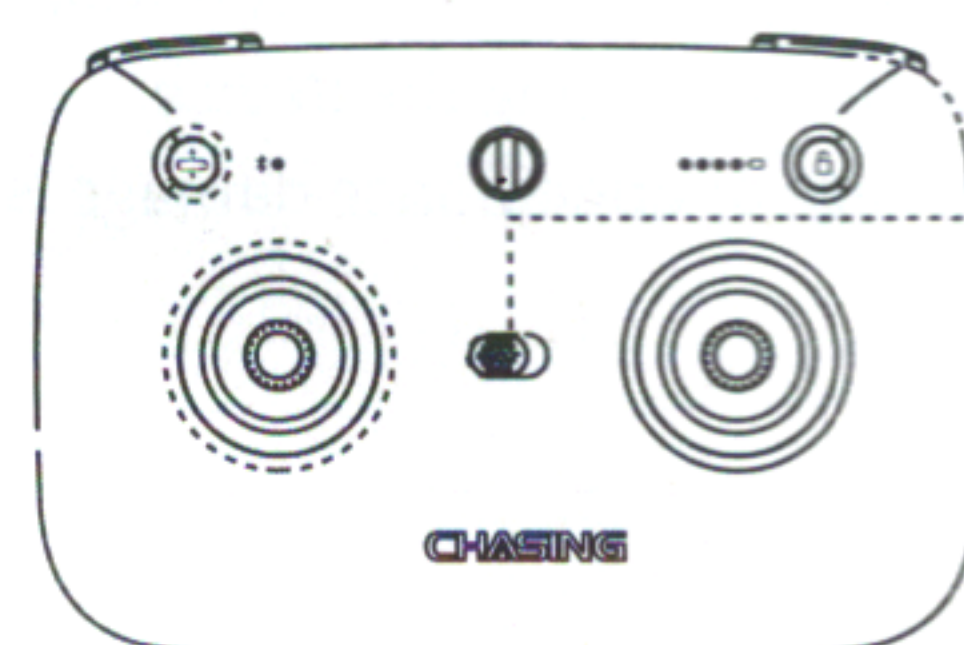


- ② Turn on Bluetooth

On phone/tablet, go to Bluetooth settings and make sure it is set to the ON position.

- ③ Turn on Controller

Turn the controller's power switch to the ON position. The Bluetooth indicator flashes and the battery indicator lights turn on.



- ④ Connecting Controller and Mobile Phone

Open the app, make sure app's permission is open. A Bluetooth connection interface will pop up. Select the device name and click the 'select' button. Check the Bluetooth indicator on the controller for connection status. A solid ON light indicates a successful connection.